

MODULAR SURGE PROTECTION DEVICE

LS PLUS SERIES

AC Surge Protection

The LS Plus is a compact modular surge protection device. This unit is listed to UL 1449 4th Edition using thermal protection to maintain performance ratings. The LS Plus is designed to be installed quickly and serviced easily to eliminate downtime. A robust surge capacity up to 300 kA and fully loaded diagnostics package make this a versatile SPD for any application.



LS Plus Series

FEATURES

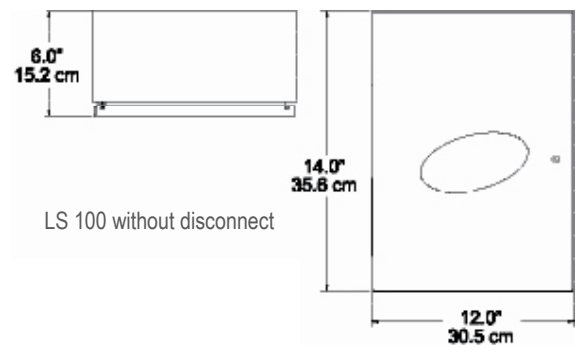
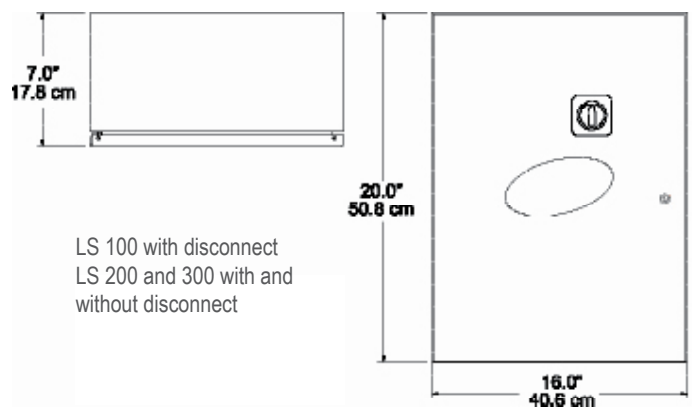
- **Thermally Protected MOV** - allows maximum surge capacity, repetitive capability, and performance while maintaining safety requirements
- **All Mode Protection** - L-N, L-G, N-G & L-L
- **Linear Sharing** - reduces stress to extend product life
- **Suppression Indicator** - monitoring to identify damaged unit for easy servicing
- **Modular** - field serviceable unit
- **Surge Counter** - counts transients the unit suppresses
- **External Indication Lights** - shows loss of power and protection integrity
- **Dry Contacts** - Form C contacts for remote monitoring (NO & NC)
- **Alarm with Disable Switch** - audible indication
- **Compact Enclosure** - supports installation requirements when space is an issue
- **Warranty** - 10 years

STANDARDS

- UL 1449 4th Edition, Listed
- NEC Article 100 / 285
- IEEE

OPTIONS

- Internal disconnect switch for easy servicing



SPECIFICATIONS

LS Plus	LS 100	LS 200	LS 300
Performance			
Connection	Parallel	Parallel	Parallel
Operating Voltage Range	± 15%	± 15%	± 15%
Nominal Operating Voltage	120 - 480 Vac	120 - 480 Vac	120 - 480 Vac
Operating Frequency	47 - 63 Hz	47 - 63 Hz	47 - 63 Hz
MCOV	115%	115%	115%
Surge Capacity per Mode	50 kA	100 kA	150 kA
Surge Capacity per Phase	100 kA	200 kA	300 kA
Nominal Discharge Current Rating (In)	20 kA	20 kA	20 kA
IEEE Location	C-High, B-Medium	C-High, B-Medium	C-High, B-Medium
UL Location	Type 1	Type 1	Type 1
Fault Rating (SCCR)	100 kAIC	100 kAIC	100 kAIC
Response Time	<1 ns	<1 ns	<1 ns
Protection Provided	L-N, L-G, N-G, L-L	L-N, L-G, N-G, L-L	L-N, L-G, N-G, L-L
Certifications	UL 1449 4th Edition Listed	UL 1449 4th Edition Listed	UL 1449 4th Edition Listed
Mechanical			
Dimensions - H x W x D	Without Disconnect 14.0" x 12.0" x 6.0" 35.6 cm x 30.5 cm x 15.2 cm Disconnect 20.0" x 16.0" x 7.0" 50.8 cm x 40.6 cm x 17.8 cm	With and Without Disconnect 20.0" x 16.0" x 7.0" 50.8 cm x 40.6 cm x 17.8 cm	With and Without Disconnect 20.0" x 16.0" x 7.0" 50.8 cm x 40.6 cm x 17.8 cm
Weight (Max) lb, kg	Without Disconnect - 24 lbs, 10.9 kg Disconnect - 32 lbs, 14.6 kg	Without Disconnect - 32 lbs, 14.6 kg Disconnect - 33 lbs, 15 kg	Without Disconnect - 42 lbs, 19 kg Disconnect - 43 lbs, 19.5 kg
Lug Range	Terminal Block #14 - I/O AWG Disconnect #10 - 4 AWG	Terminal Block #14 - I/O AWG Disconnect #10 - 4 AWG	Terminal Block #14 - I/O AWG Disconnect #10 - 4 AWG
Lead Length	≤ 1.5' (recommended)	≤ 1.5' (recommended)	≤ 1.5' (recommended)
Wire Gauge	#8 - I/O AWG (recommended)	#8 - I/O AWG (recommended)	#8 - I/O AWG (recommended)
Breaker Connection	60A (recommended)	60A (recommended)	60A (recommended)
Environmental			
Humidity	95% non-condensing	95% non-condensing	95% non-condensing
Operating Temperature	-40° C to + 65° C	-40° C to + 65° C	-40° C to + 65° C
Operating Altitude (feet)	Up to 12,000	Up to 12,000	Up to 12,000
Enclosure Type	NEMA 3R	NEMA 3R	NEMA 3R